

## Acoustic Flat Felt Baffles



Our most simple felt baffles are hung on 8" to 12" centers to optimize the noise mitigation. Coming in a number of heights and lengths with simple hardware options, these can be used anywhere. For many, it's a more streamlined open look when compared to a traditional box baffle.

# Specifications

Product Name	Flat Felt Baffles
Lead Times	Fast Ship: 4 weeks Standard: 10 weeks
Content	100% Polyester (PET) with a minimum of 60% recycled content
Thickness	9mm
Length	Standard: 47.5", 59.5", 71.5", 95.5" (Custom lengths available)
Width	9mm
Height	Standard: 7.5", 11.5" (Custom heights available)
Weight	.34/lbs per sq ft
Edge Options	Exposed felt
Sound Performance	ASTM C423-17: NRC = 0.80
Fire Performance	Product made from Class A PET felt material tested under ASTM E-84
Variations	Mode Felt uses an industry standard felting process. Slight and consistent variations in color and "heathering" should be expected when using this sustainable material. Slight imperfections are within normal manufacturing tolerances and not visible in standard installations.
Environmental	Low VOC emissions, formaldehyde and phenol-free. Red List free.
Maintenance	Vacuum to remove any loose dirt or dust. You may use a soft or plastic bristle brush to loosen it. Avoid excess pressure. Compressed air can also be used to dust the material in difficult or large installations. If stains are present, you may saturate a lint-free cloth with a mild detergent or soap and water solution.
Warranty	10 year warranty
Unit of Sale	Per baffle

# Connections

## Spacing

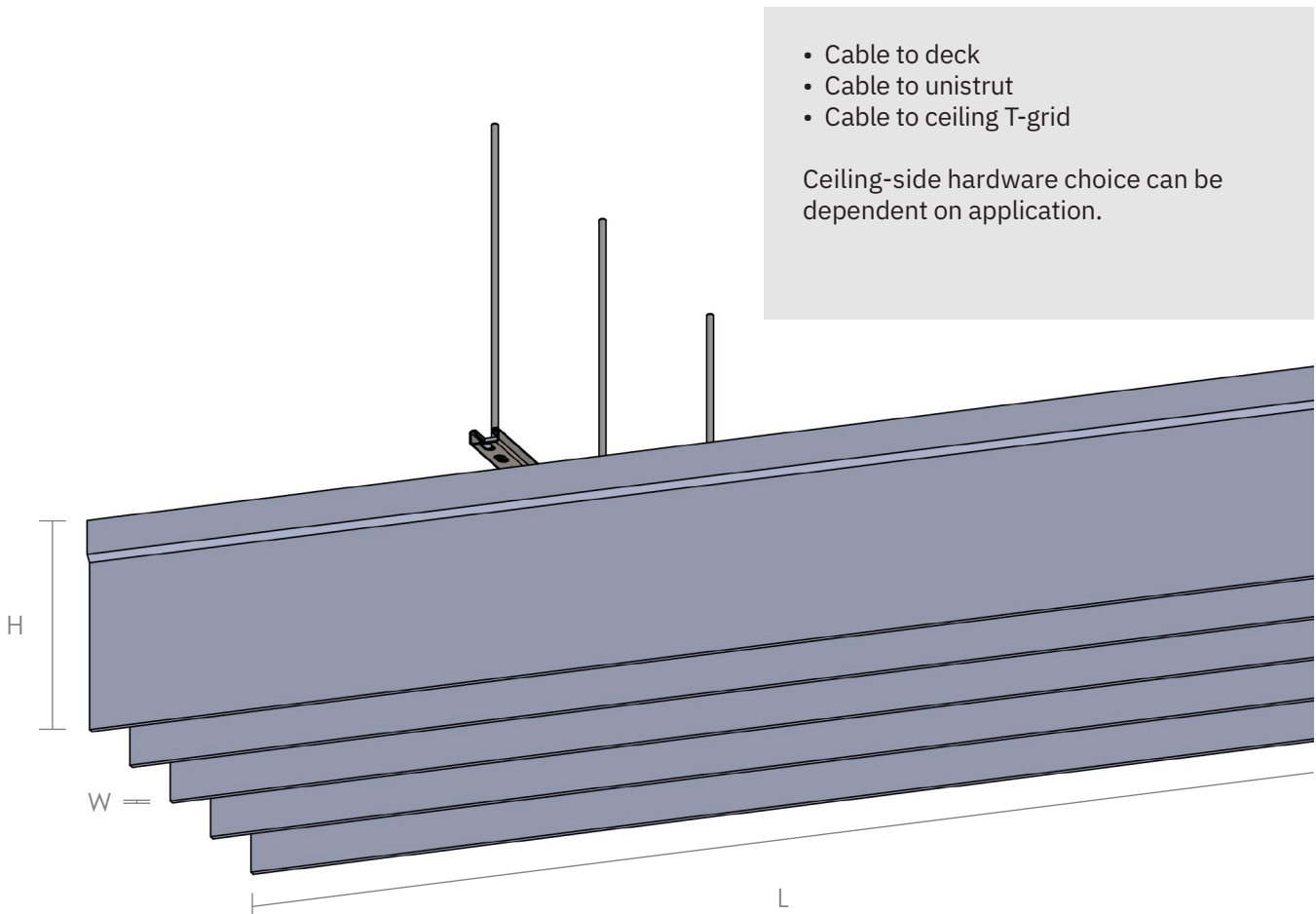
Baffles may be direct-connect or suspended. Connection points on baffle vary by length of baffle. The following is a guide.

Baffle Length	Distance
18–30"	12"
31–54"	24"
55–95.5"	48"

## Suspension

Cable gripper and 1/16" aircraft wire

Attached directly to the deck or ceiling infrastructure, aircraft cables can be arranged in any desired look and feel. The baffles have embedded cable grippers enabling them to be installed in seconds to any deck mounted 1/16" cable.



## Direct

Stud to unistrut

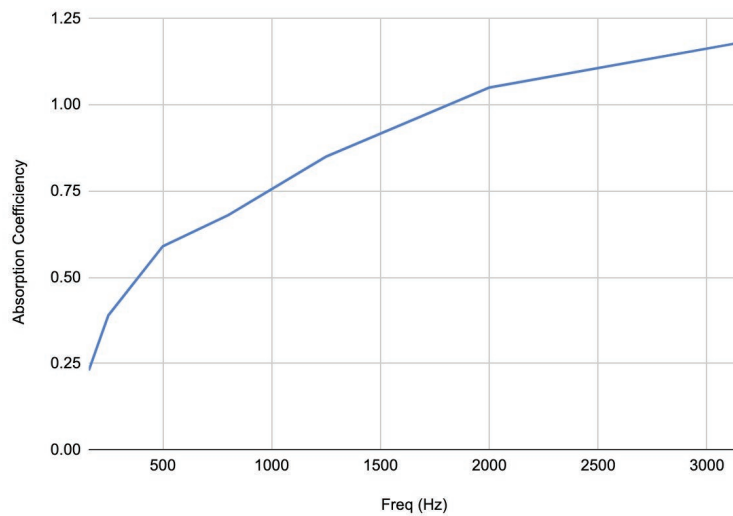
Bolt directly to unistrut in seconds and enjoy a consistent and balanced installation — saving both time and money.

# Colors



# Test Results

Absorption Coefficient vs. Freq (Hz)



Freq (Hz)	Absorption Coefficient
160	0.23
250	0.39
500	0.59
800	0.68
1250	0.85
2000	1.05
3150	1.18

ASTM C 423-17: Type J Mounting - using 4 baffle units suspended with aircraft wire. 12" oc to simulate a typical baffle installation.