



Dimensional

Surface & Suspended Dimensional Panels

Physical environments can be beautifully designed, but also need beautifully crafted sound control solutions to enable people to be at their best. Our patented dimensional acoustic panel designs bring a unique experience that no one else offers in the market. Exceptional form meets high-powered function! These panels provide excellent sound control and NRC values.

Features

- We offer 10 standard designs and designs are limitless! Bring your ideas to The Custom Shop.
- Fabric adhered to core using patented VACU-BOND® process.
- Edges and corners are meticulously tailored for a beautifully finished product.
- Our Dimensional Acoustic Panels offer a Noise Reduction Coefficient (NRC) value of 0.85 for 1" and 1.05 for 2". All materials utilized are Class (A).



Linear

Dimensional

Linear

Size	2' x 2', 2' x 4', 4' x 4', 4' x 6', 4' x 8', 2' x 5', 5' x 5'. Custom sizes available.
Thickness	1" or 2"
Tolerance	+/- 1/16"
Core	6-7lb Fiberglass Board + 1/8" Hardened Fiberglass Facer
Edge Detail	Hardened
Edge Profile	Square
Mounting Type	Wall
Mounting Hardware	Impaler clips, Rotofast, Z Clips
Flamability	ASTM 84 Class A
NRC	1" = 0.85 and 2" = 1.05 - see brochure for details by size

Our craftsmanship guarantee is really simple:

If there is a craftsmanship defect detected, we will repair or replace the impacted product.

If the product was damaged during shipping and it was because of how we packaged it, we will repair or replace the impacted product.

The length of our guarantee is five (5) years provided you used a Certified PRO Installer; otherwise, it is a standard three (3) years.

For more details, see warranty details on our website.

Lead Time

Standard sizes and coverings: 2-3 weeks

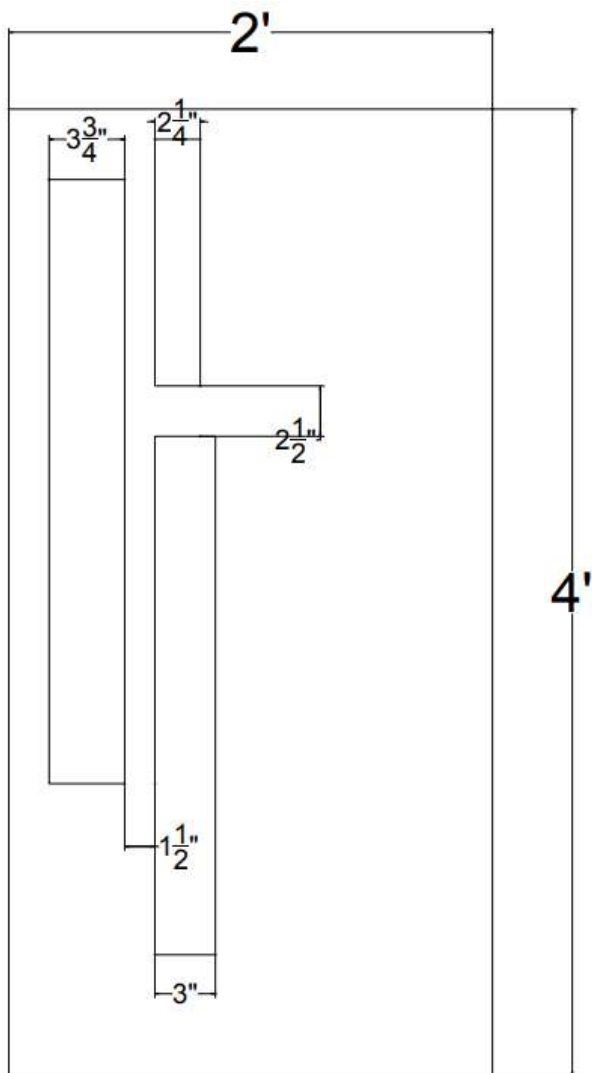
Custom sizes and coverings: 6-8 weeks

* any customer supplied coverings may require additional time for delivery and testing. Additionally, wood veneers require perforation. Any wood veneers not in stock require an additional 4-6 weeks.

Custom Shop

Need something unique? Want to co-create actionable solutions that improve the human experience? We believe, TOGETHER, we can ideate, design, and build solutions that create unique experiences. Call us to discuss our Custom Shop program.

Linear



Sound Absorption

Hz	125	250	500	1000	2000	4000	N.R.C
DAP-1"	.02	.37	.87	1.09	1.01	1.00	.85
DAP-2"	.21	.78	1.04	1.07	1.06	1.04	1.05

Linear



Monitors and printers vary. Please request a material sample to verify materials and colors.

Steps

Dimensional

Steps

Size	2' x 2', 2' x 4', 4' x 4', 4' x 6', 4' x 8', 2' x 5', 5' x 5'. Custom sizes available.
Thickness	1" or 2"
Tolerance	+/- 1/16"
Core	6-7lb Fiberglass Board + 1/8" Hardened Fiberglass Facer
Edge Detail	Hardened
Edge Profile	Square
Mounting Type	Wall
Mounting Hardware	Impaler clips, Rotofast, Z Clips
Flamability	ASTM 84 Class A
NRC	1" = 0.85 and 2" = 1.05 - see brochure for details by size

Our craftsmanship guarantee is really simple:

If there is a craftsmanship defect detected, we will repair or replace the impacted product.

If the product was damaged during shipping and it was because of how we packaged it, we will repair or replace the impacted product.

The length of our guarantee is five (5) years provided you used a Certified PRO Installer; otherwise, it is a standard three (3) years.

For more details, see warranty details on our website.

Lead Time

Standard sizes and coverings: 2-3 weeks

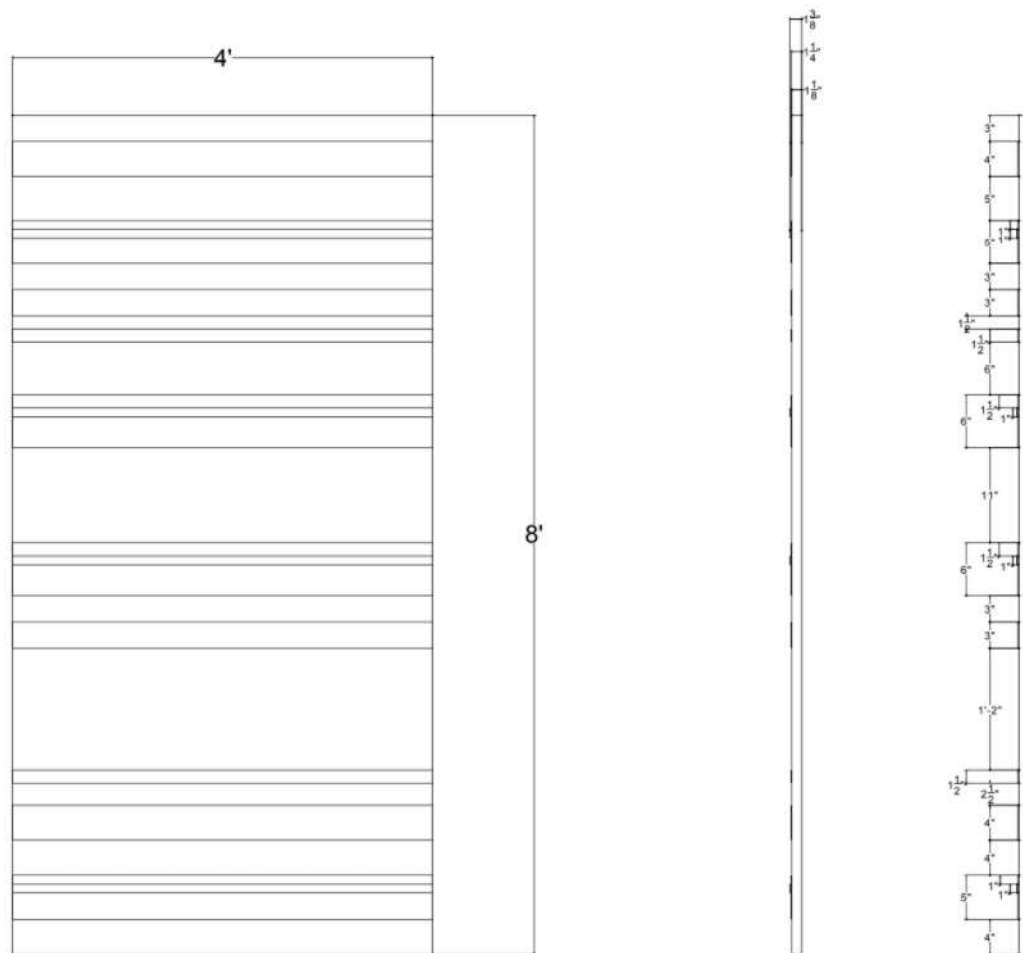
Custom sizes and coverings: 6-8 weeks

* any customer supplied coverings may require additional time for delivery and testing. Additionally, wood veneers require perforation. Any wood veneers not in stock require an additional 4-6 weeks.

Custom Shop

Need something unique? Want to co-create actionable solutions that improve the human experience? We believe, TOGETHER, we can ideate, design, and build solutions that create unique experiences. Call us to discuss our Custom Shop program.

Steps



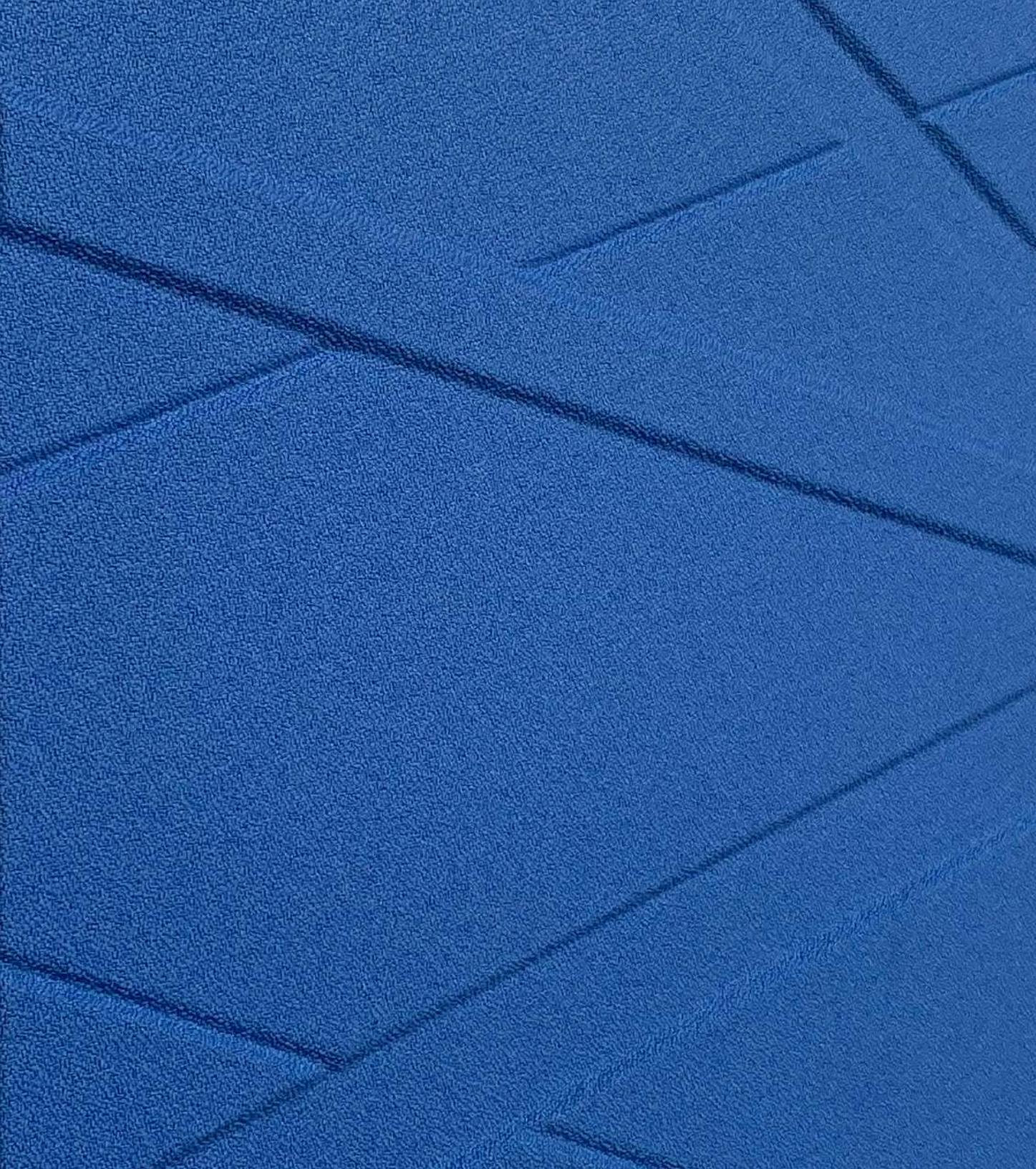
Sound Absorption

Hz	125	250	500	1000	2000	4000	N.R.C
DAP-1"	.02	.37	.87	1.09	1.01	1.00	.85
DAP-2"	.21	.78	1.04	1.07	1.06	1.04	1.05

Steps



Monitors and printers vary. Please request a material sample to verify materials and colors.



Infinity

Dimensional

Infinity

Size	2' x 2', 2' x 4', 4' x 4', 2' x 5'. Custom sizes available.
Thickness	1" or 2"
Tolerance	+/- 1/16"
Core	6-7lb Fiberglass Board + 1/8" Hardened Fiberglass Facer
Edge Detail	Hardened
Edge Profile	Square
Mounting Type	Wall
Mounting Hardware	Impaler clips, Rotofast, Z Clips
Flamability	ASTM 84 Class A
NRC	1" = 0.85 and 2" = 1.05 - see brochure for details by size

Our craftsmanship guarantee is really simple:

If there is a craftsmanship defect detected, we will repair or replace the impacted product.

If the product was damaged during shipping and it was because of how we packaged it, we will repair or replace the impacted product.

The length of our guarantee is five (5) years provided you used a Certified PRO Installer; otherwise, it is a standard three (3) years.

For more details, see warranty details on our website.

Lead Time

Standard sizes and coverings: 2-3 weeks

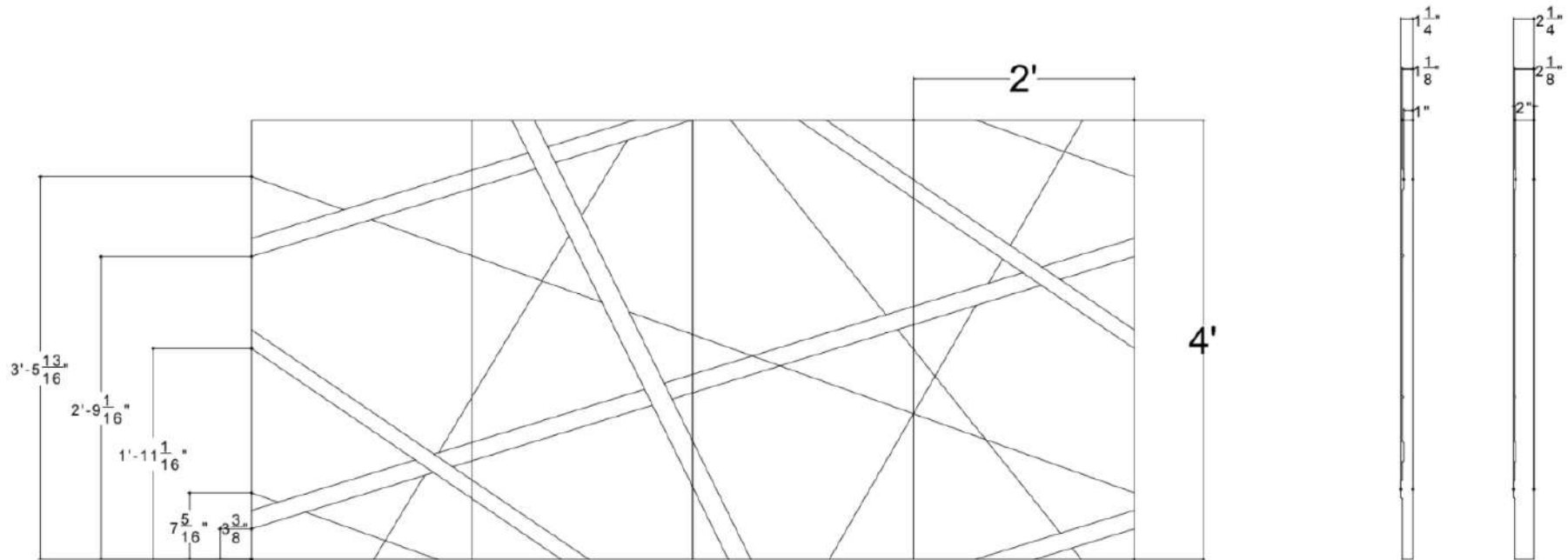
Custom sizes and coverings: 6-8 weeks

* any customer supplied coverings may require additional time for delivery and testing. Additionally, wood veneers require perforation. Any wood veneers not in stock require an additional 4-6 weeks.

Custom Shop

Need something unique? Want to co-create actionable solutions that improve the human experience? We believe, TOGETHER, we can ideate, design, and build solutions that create unique experiences. Call us to discuss our Custom Shop program.

Infinity



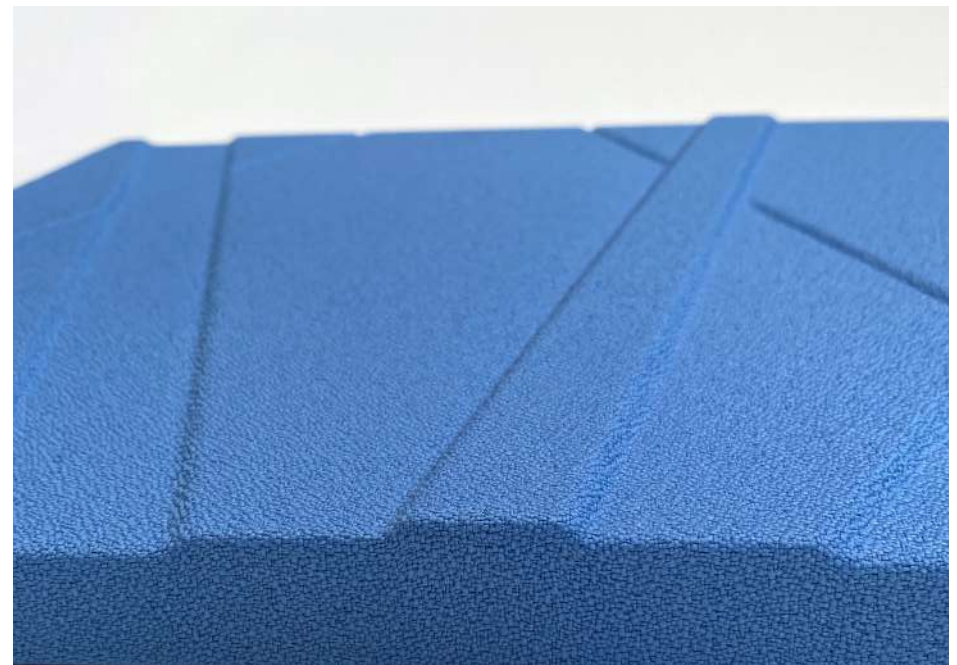
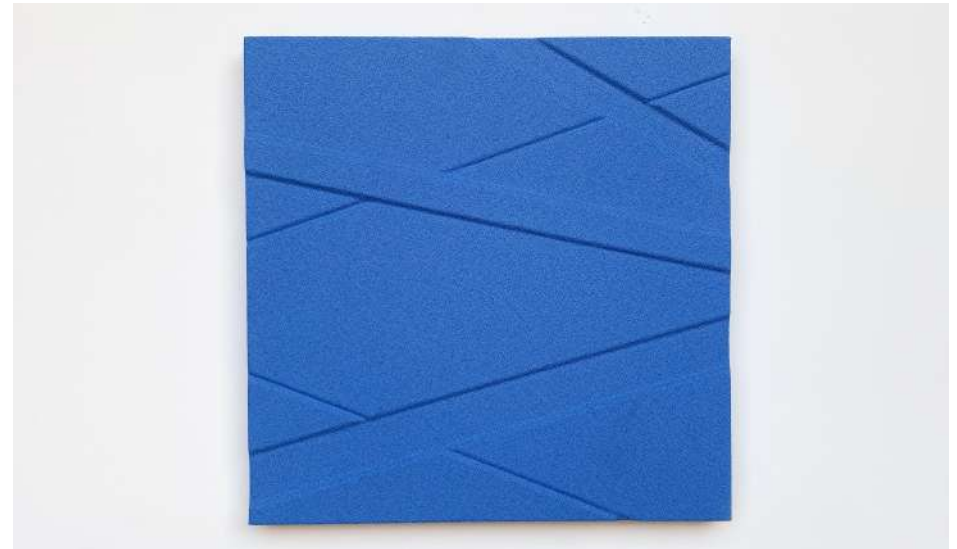
Sound Absorption

Hz	125	250	500	1000	2000	4000	N.R.C
DAP-1"	.02	.37	.87	1.09	1.01	1.00	.85
DAP-2"	.21	.78	1.04	1.07	1.06	1.04	1.05

Surface & Suspended Dimensional Panels

Color Options

Infinity



Monitors and printers vary. Please request a material sample to verify materials and colors.



Silhouettes

Dimensional

Silhouettes

Size	2' x 2', 2' x 4', 4' x 4', 4' x 6', 4' x 8', 2' x 5'. Custom sizes available.
Thickness	1" or 2"
Tolerance	+/- 1/16"
Core	6-7lb Fiberglass Board + 1/8" Hardened Fiberglass Facer
Edge Detail	Hardened
Edge Profile	Square
Mounting Type	Wall
Mounting Hardware	Impaler clips, Rotofast, Z Clips
Flamability	ASTM 84 Class A
NRC	1" = 0.85 and 2" = 1.05 - see brochure for details by size

Our craftsmanship guarantee is really simple:

If there is a craftsmanship defect detected, we will repair or replace the impacted product.

If the product was damaged during shipping and it was because of how we packaged it, we will repair or replace the impacted product.

The length of our guarantee is five (5) years provided you used a Certified PRO Installer; otherwise, it is a standard three (3) years.

For more details, see warranty details on our website.

Lead Time

Standard sizes and coverings: 2-3 weeks

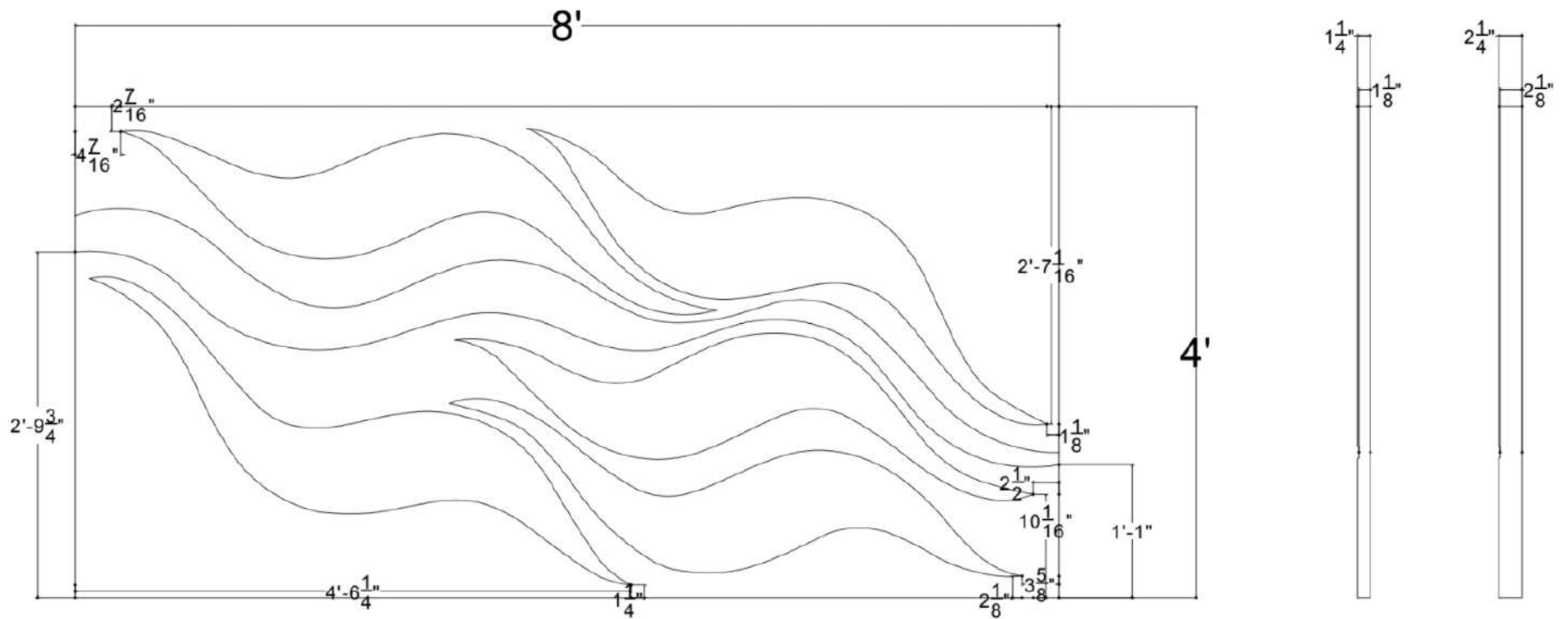
Custom sizes and coverings: 6-8 weeks

* any customer supplied coverings may require additional time for delivery and testing. Additionally, wood veneers require perforation. Any wood veneers not in stock require an additional 4-6 weeks.

Custom Shop

Need something unique? Want to co-create actionable solutions that improve the human experience? We believe, TOGETHER, we can ideate, design, and build solutions that create unique experiences. Call us to discuss our Custom Shop program.

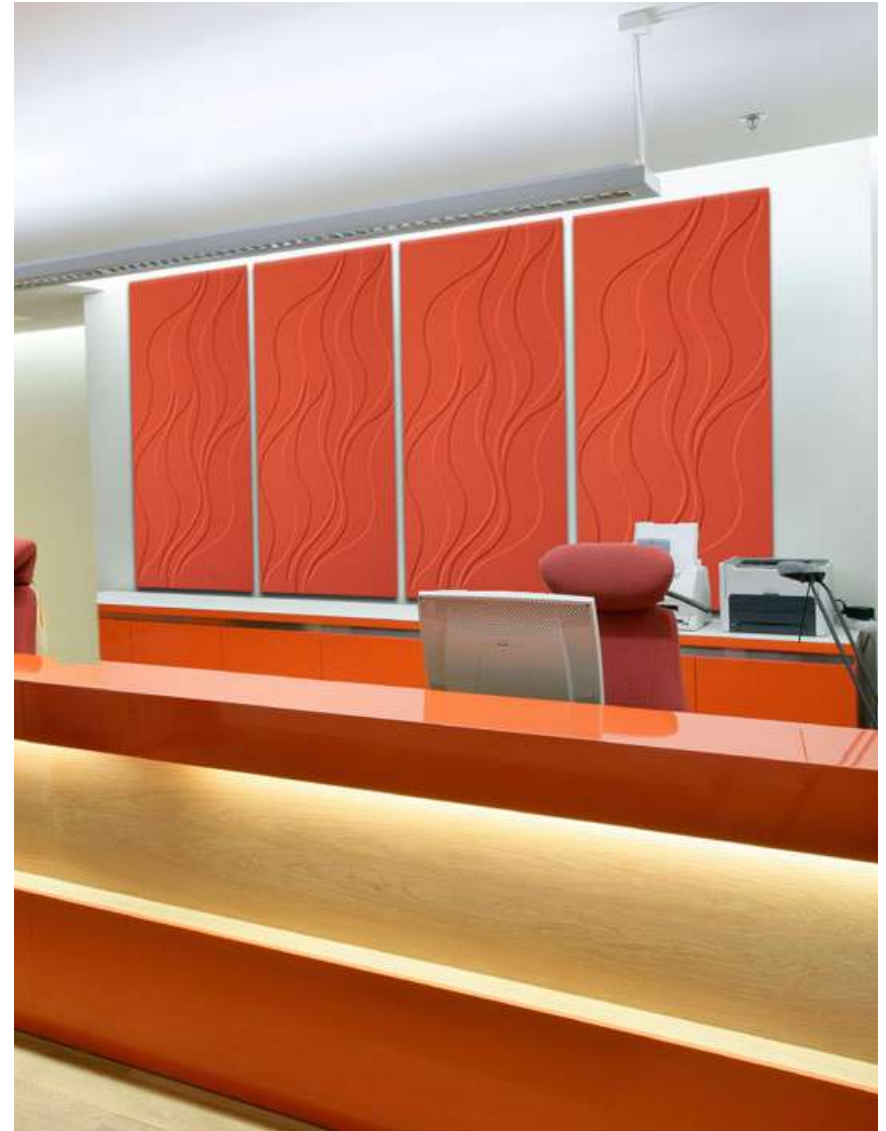
Silhouettes



Sound Absorption

Hz	125	250	500	1000	2000	4000	N.R.C
DAP-1"	.02	.37	.87	1.09	1.01	1.00	.85
DAP-2"	.21	.78	1.04	1.07	1.06	1.04	1.05

Silhouettes



Monitors and printers vary. Please request a material sample to verify materials and colors.



Waves

Dimensional

Waves

Size	2' x 2', 2' x 4', 4' x 4', 2' x 5'. Custom sizes available.
Thickness	1" or 2"
Tolerance	+/- 1/16"
Core	6-7lb Fiberglass Board + 1/8" Hardened Fiberglass Facer
Edge Detail	Hardened
Edge Profile	Square
Mounting Type	Wall
Mounting Hardware	Impaler clips, Rotofast, Z Clips
Flamability	ASTM 84 Class A
NRC	1" = 0.85 and 2" = 1.05 - see brochure for details by size

Our craftsmanship guarantee is really simple:

If there is a craftsmanship defect detected, we will repair or replace the impacted product.

If the product was damaged during shipping and it was because of how we packaged it, we will repair or replace the impacted product.

The length of our guarantee is five (5) years provided you used a Certified PRO Installer; otherwise, it is a standard three (3) years.

For more details, see warranty details on our website.

Lead Time

Standard sizes and coverings: 2-3 weeks

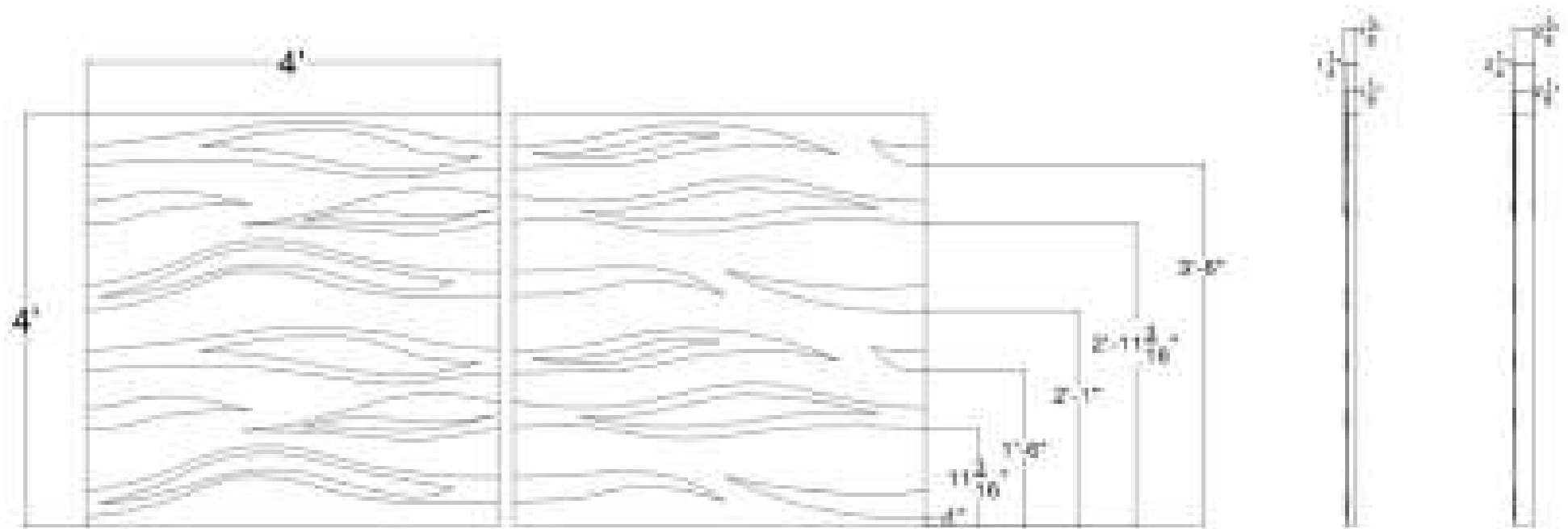
Custom sizes and coverings: 6-8 weeks

* any customer supplied coverings may require additional time for delivery and testing. Additionally, wood veneers require perforation. Any wood veneers not in stock require an additional 4-6 weeks.

Custom Shop

Need something unique? Want to co-create actionable solutions that improve the human experience? We believe, TOGETHER, we can ideate, design, and build solutions that create unique experiences. Call us to discuss our Custom Shop program.

Waves



Sound Absorption

Hz	125	250	500	1000	2000	4000	N.R.C
DAP-1"	.02	.37	.87	1.09	1.01	1.00	.85
DAP-2"	.21	.78	1.04	1.07	1.06	1.04	1.05

Waves

					
Tangerine	Paprika	Shiraz	Scarlet	Fuchsia	Violet
					
Admiral	Marina	Azure	Peacock	Tropic	Chambray
					
Aloe	Key Lime	Spring	Spruce	Brownie	Jet Black
					
Shale	Elephant	Cinder	Parchment	Mink	Sterling
					
Chino	Lunar	Stucco	Silverado	Shark	Granite
					
Academy	Cerulean	Bluestone	Delft	Lichen	Shamrock
					
Fairway	Ray	Copper	Woodrose	Bloom	Printable



Monitors and printers vary. Please request a material sample to verify materials and colors.



Dunes

Dimensional

Dunes

Size	2' x 2', 2' x 4', 4' x 4', 2' x 5', 5' x 5'. Custom sizes available.
Thickness	1" or 2"
Tolerance	+/- 1/16"
Core	6-7lb Fiberglass Board + 1/8" Hardened Fiberglass Facer
Edge Detail	Hardened
Edge Profile	Square
Mounting Type	Wall
Mounting Hardware	Impaler clips, Rotofast, Z Clips
Flamability	ASTM 84 Class A
NRC	1" = 0.85 and 2" = 1.05 - see brochure for details by size

Our craftsmanship guarantee is really simple:

If there is a craftsmanship defect detected, we will repair or replace the impacted product.

If the product was damaged during shipping and it was because of how we packaged it, we will repair or replace the impacted product.

The length of our guarantee is five (5) years provided you used a Certified PRO Installer; otherwise, it is a standard three (3) years.

For more details, see warranty details on our website.

Lead Time

Standard sizes and coverings: 2-3 weeks

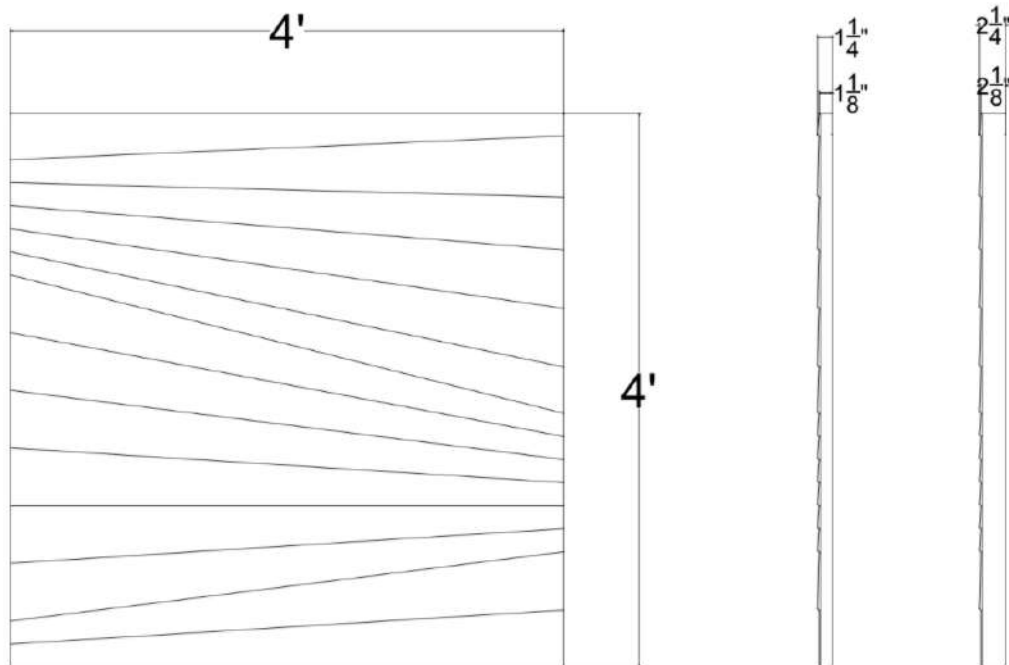
Custom sizes and coverings: 6-8 weeks

* any customer supplied coverings may require additional time for delivery and testing. Additionally, wood veneers require perforation. Any wood veneers not in stock require an additional 4-6 weeks.

Custom Shop

Need something unique? Want to co-create actionable solutions that improve the human experience? We believe, TOGETHER, we can ideate, design, and build solutions that create unique experiences. Call us to discuss our Custom Shop program.

Dunes



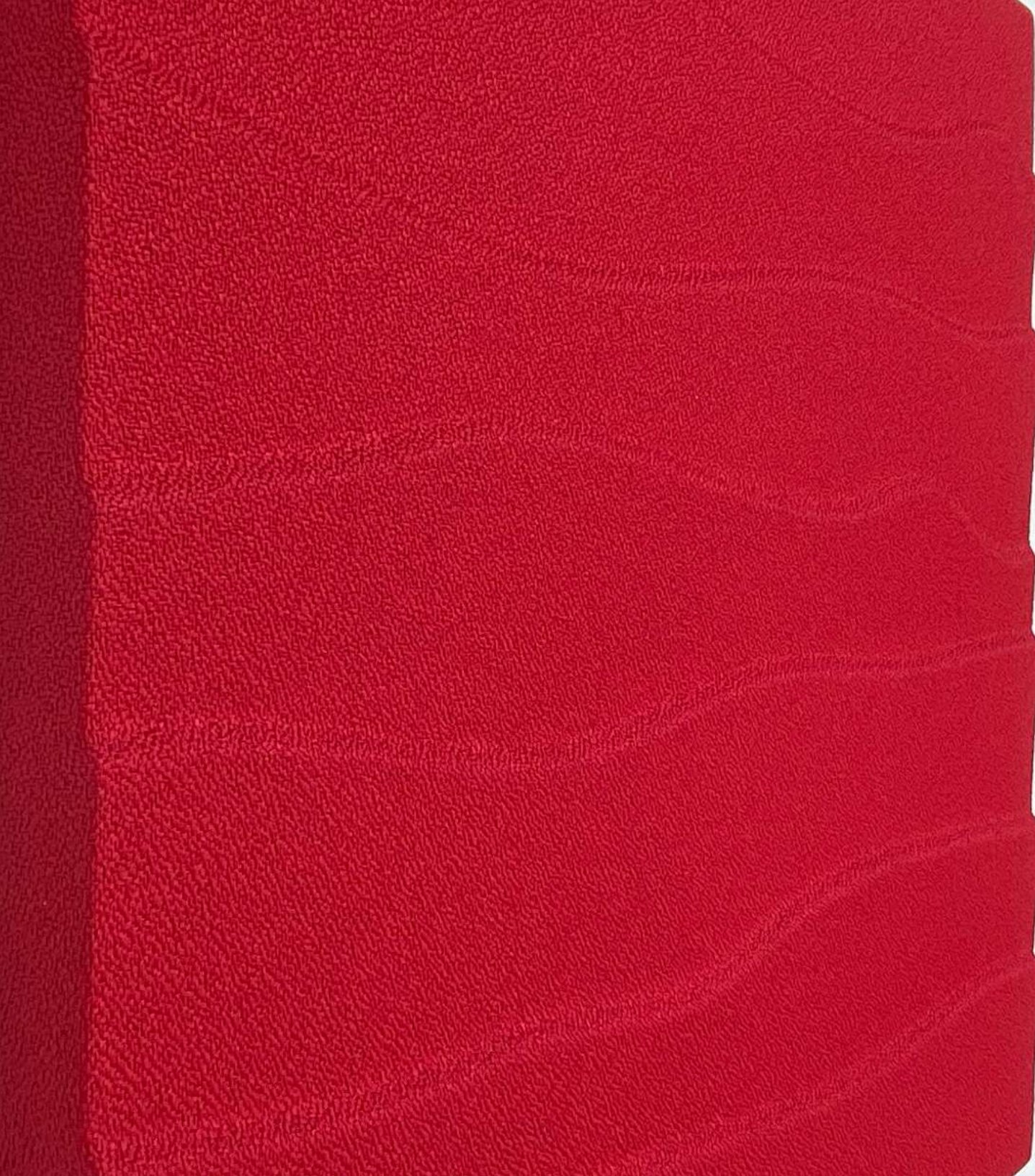
Sound Absorption

Hz	125	250	500	1000	2000	4000	N.R.C
DAP-1"	.02	.37	.87	1.09	1.01	1.00	.85
DAP-2"	.21	.78	1.04	1.07	1.06	1.04	1.05

Dunes



Monitors and printers vary. Please request a material sample to verify materials and colors.



Sand Dunes

Dimensional

Sand Dunes

Size	2' x 2', 2' x 4', 4' x 4', 2' x 5', 5' x 5'. Custom sizes available.
Thickness	1" or 2"
Tolerance	+/- 1/16"
Core	6-7lb Fiberglass Board + 1/8" Hardened Fiberglass Facer
Edge Detail	Hardened
Edge Profile	Square
Mounting Type	Wall
Mounting Hardware	Impaler clips, Rotofast, Z Clips
Flamability	ASTM 84 Class A
NRC	1" = 0.85 and 2" = 1.05 - see brochure for details by size

Our craftsmanship guarantee is really simple:

If there is a craftsmanship defect detected, we will repair or replace the impacted product.

If the product was damaged during shipping and it was because of how we packaged it, we will repair or replace the impacted product.

The length of our guarantee is five (5) years provided you used a Certified PRO Installer; otherwise, it is a standard three (3) years.

For more details, see warranty details on our website.

Lead Time

Standard sizes and coverings: 2-3 weeks

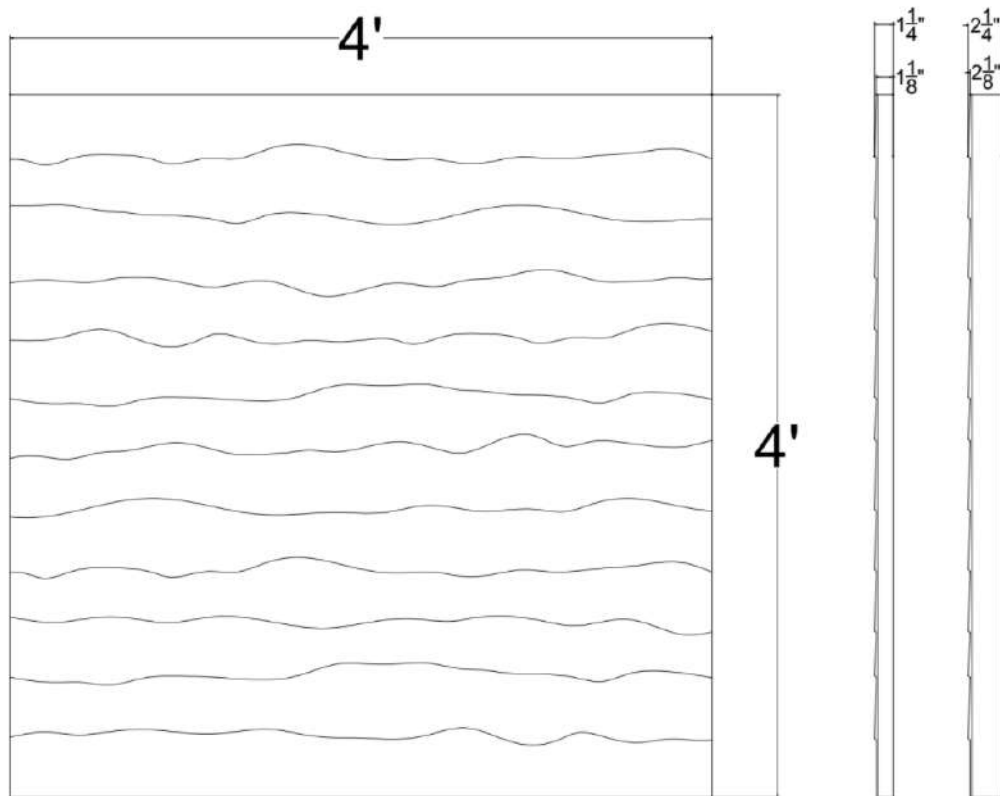
Custom sizes and coverings: 6-8 weeks

* any customer supplied coverings may require additional time for delivery and testing. Additionally, wood veneers require perforation. Any wood veneers not in stock require an additional 4-6 weeks.

Custom Shop

Need something unique? Want to co-create actionable solutions that improve the human experience? We believe, TOGETHER, we can ideate, design, and build solutions that create unique experiences. Call us to discuss our Custom Shop program.

Sand Dunes



Sound Absorption

Hz	125	250	500	1000	2000	4000	N.R.C
DAP-1"	.02	.37	.87	1.09	1.01	1.00	.85
DAP-2"	.21	.78	1.04	1.07	1.06	1.04	1.05

Sand Dunes



Monitors and printers vary. Please request a material sample to verify materials and colors.



Currents

Dimensional

Currents

Size 2' x 2', 2' x 4', 4' x 4', 2' x 5', 5' x 5'. Custom sizes available.

Thickness 1" or 2"

Tolerance +/- 1/16"

Core 6-7lb Fiberglass Board + 1/8" Hardened Fiberglass Facer

Edge Detail Hardened

Edge Profile Square

Mounting Type Wall

Mounting Hardware Impaler clips, Rotofast, Z Clips

Flamability ASTM 84 Class A

NRC 1" = 0.85 and 2" = 1.05 - see brochure for details by size

Our craftsmanship guarantee is really simple:

If there is a craftsmanship defect detected, we will repair or replace the impacted product.

If the product was damaged during shipping and it was because of how we packaged it, we will repair or replace the impacted product.

The length of our guarantee is five (5) years provided you used a Certified PRO Installer; otherwise, it is a standard three (3) years.

For more details, see warranty details on our website.

Lead Time

Standard sizes and coverings: 2-3 weeks

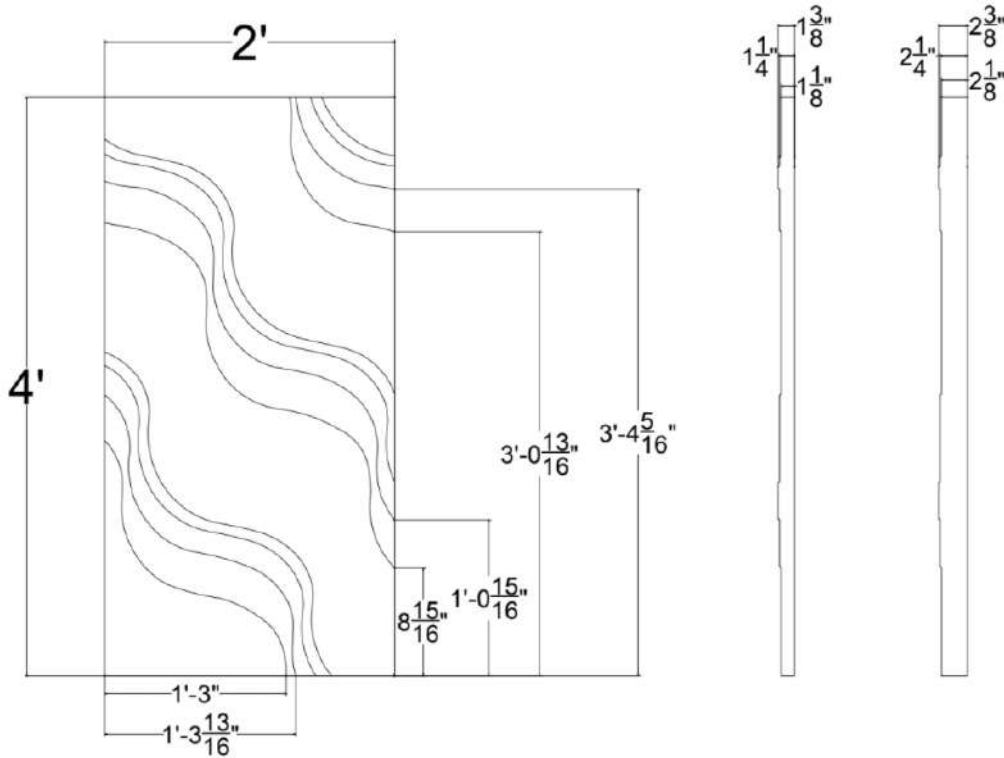
Custom sizes and coverings: 6-8 weeks

* any customer supplied coverings may require additional time for delivery and testing. Additionally, wood veneers require perforation. Any wood veneers not in stock require an additional 4-6 weeks.

Custom Shop

Need something unique? Want to co-create actionable solutions that improve the human experience? We believe, TOGETHER, we can ideate, design, and build solutions that create unique experiences. Call us to discuss our Custom Shop program.

Currents



Sound Absorption

Hz	125	250	500	1000	2000	4000	N.R.C
DAP-1"	.02	.37	.87	1.09	1.01	1.00	.85
DAP-2"	.21	.78	1.04	1.07	1.06	1.04	1.05

Currents



Monitors and printers vary. Please request a material sample to verify materials and colors.



Aspen

Dimensional

Aspen

Size 2' x 2', 2' x 4', 4' x 4', 4' x 6', 4' x 8', 2' x 5', 5' x 5'. Custom sizes available.

Thickness 1" or 2"

Tolerance +/- 1/16"

Core 6-7lb Fiberglass Board + 1/8" Hardened Fiberglass Facer

Edge Detail Hardened

Edge Profile Square

Mounting Type Wall

Mounting Hardware Impaler clips, Rotofast, Z Clips

Flamability ASTM 84 Class A

NRC 1" = 0.85 and 2" = 1.05 - see brochure for details by size

Our craftsmanship guarantee is really simple:

If there is a craftsmanship defect detected, we will repair or replace the impacted product.

If the product was damaged during shipping and it was because of how we packaged it, we will repair or replace the impacted product.

The length of our guarantee is five (5) years provided you used a Certified PRO Installer; otherwise, it is a standard three (3) years.

For more details, see warranty details on our website.

Lead Time

Standard sizes and coverings: 2-3 weeks

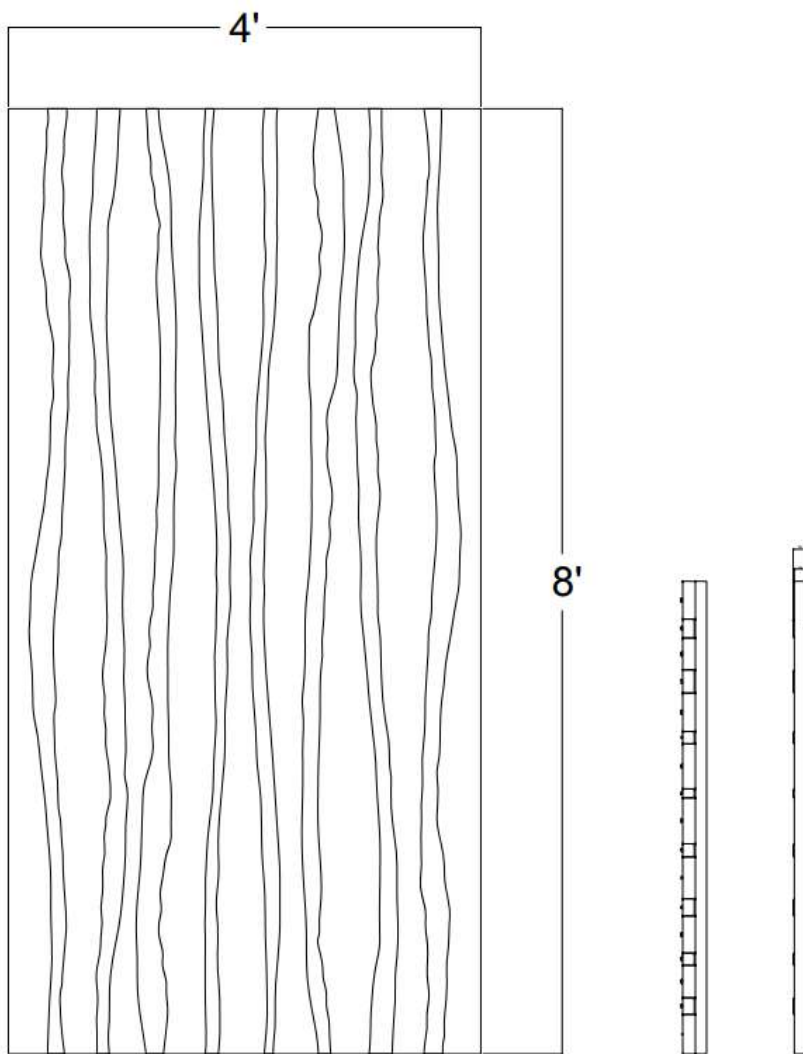
Custom sizes and coverings: 6-8 weeks

* any customer supplied coverings may require additional time for delivery and testing. Additionally, wood veneers require perforation. Any wood veneers not in stock require an additional 4-6 weeks.

Custom Shop

Need something unique? Want to co-create actionable solutions that improve the human experience? We believe, TOGETHER, we can ideate, design, and build solutions that create unique experiences. Call us to discuss our Custom Shop program.

Aspen



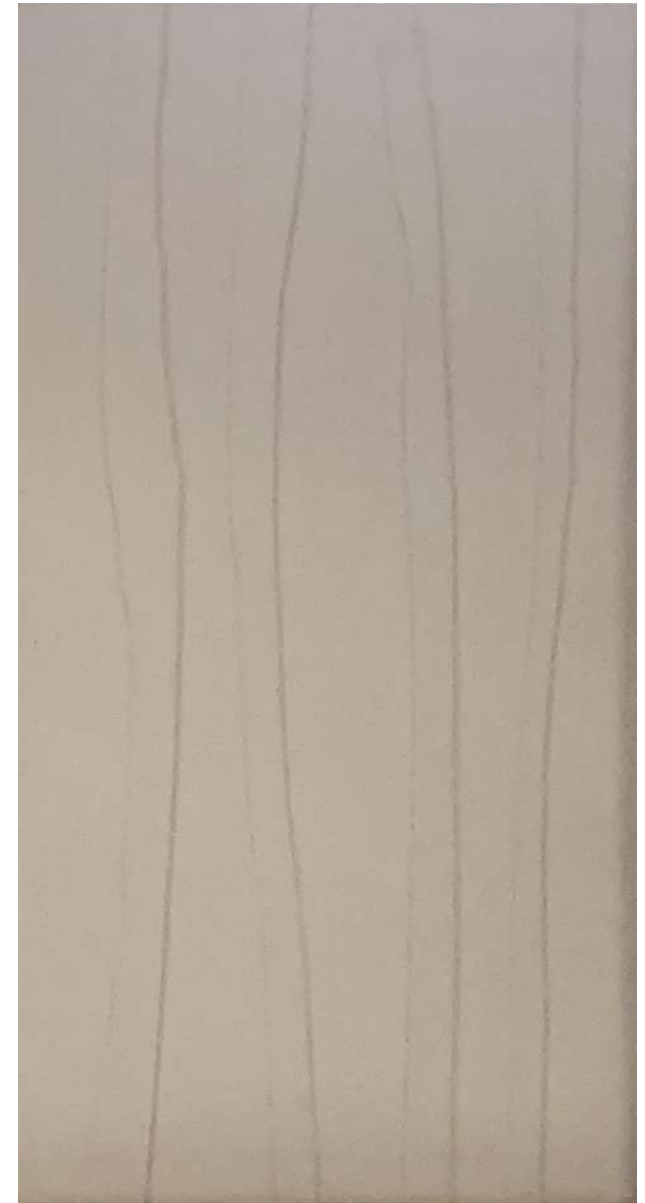
Sound Absorption

Hz	125	250	500	1000	2000	4000	N.R.C
DAP-1"	.02	.37	.87	1.09	1.01	1.00	.85
DAP-2"	.21	.78	1.04	1.07	1.06	1.04	1.05

Surface & Suspended Dimensional Panels

Color Options

Aspen



Monitors and printers vary. Please request a material sample to verify materials and colors.



Ripple

Dimensional

Ripple

Size 2' x 2', 2' x 4', 4' x 4', 4' x 6', 4' x 8', 2' x 5', 5' x 5'. Custom sizes available.

Thickness 1" or 2"

Tolerance +/- 1/16"

Core 6-7lb Fiberglass Board + 1/8" Hardened Fiberglass Facer

Edge Detail Hardened

Edge Profile Square

Mounting Type Wall

Mounting Hardware Impaler clips, Rotofast, Z Clips

Flamability ASTM 84 Class A

NRC 1" = 0.85 and 2" = 1.05 - see brochure for details by size

Our craftsmanship guarantee is really simple:

If there is a craftsmanship defect detected, we will repair or replace the impacted product.

If the product was damaged during shipping and it was because of how we packaged it, we will repair or replace the impacted product.

The length of our guarantee is five (5) years provided you used a Certified PRO Installer; otherwise, it is a standard three (3) years.

For more details, see warranty details on our website.

Lead Time

Standard sizes and coverings: 2-3 weeks

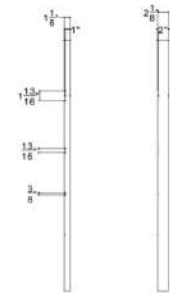
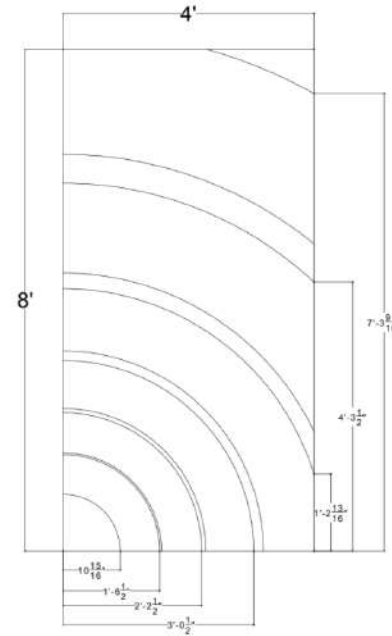
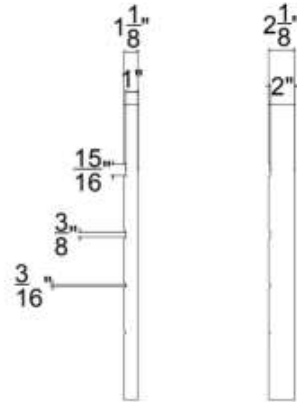
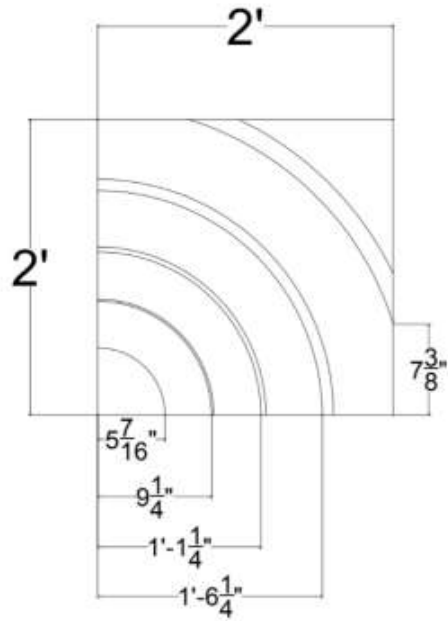
Custom sizes and coverings: 6-8 weeks

* any customer supplied coverings may require additional time for delivery and testing. Additionally, wood veneers require perforation. Any wood veneers not in stock require an additional 4-6 weeks.

Custom Shop

Need something unique? Want to co-create actionable solutions that improve the human experience? We believe, TOGETHER, we can ideate, design, and build solutions that create unique experiences. Call us to discuss our Custom Shop program.

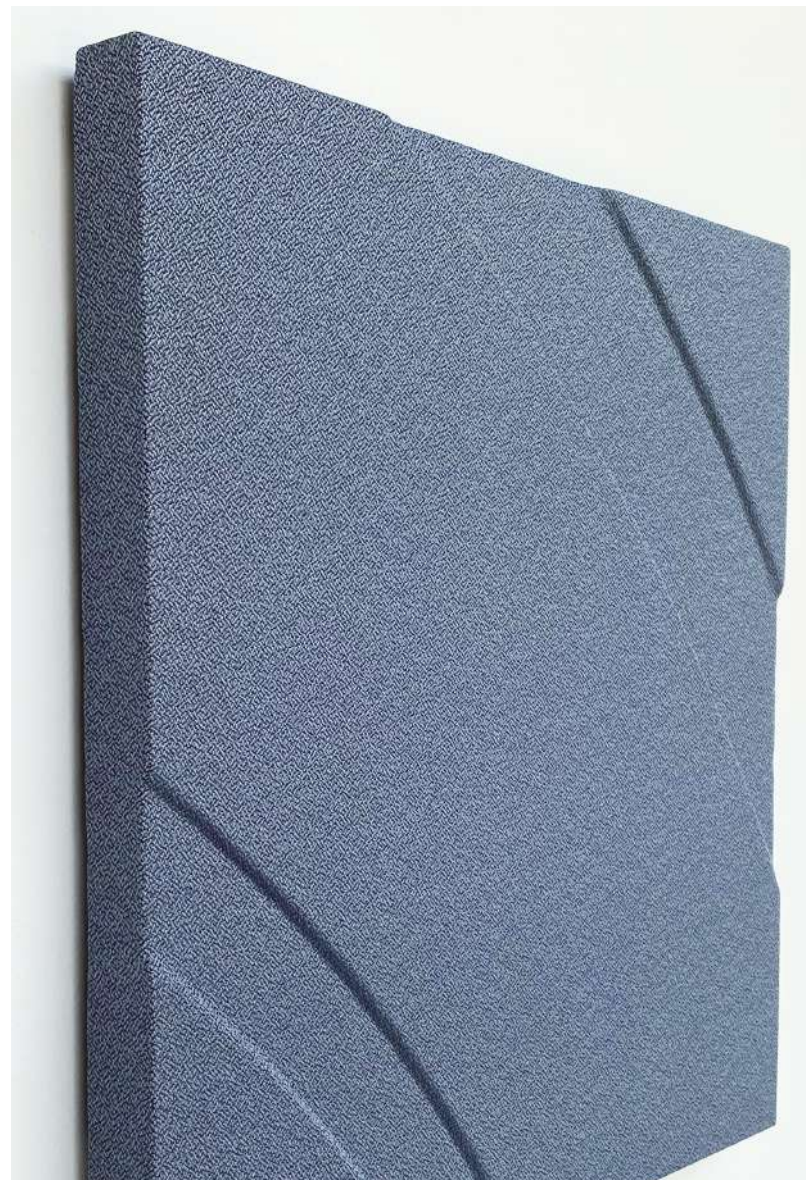
Ripple



Sound Absorption

Hz	125	250	500	1000	2000	4000	N.R.C
DAP-1"	.02	.37	.87	1.09	1.01	1.00	.85
DAP-2"	.21	.78	1.04	1.07	1.06	1.04	1.05

Ripple



Monitors and printers vary. Please request a material sample to verify materials and colors.